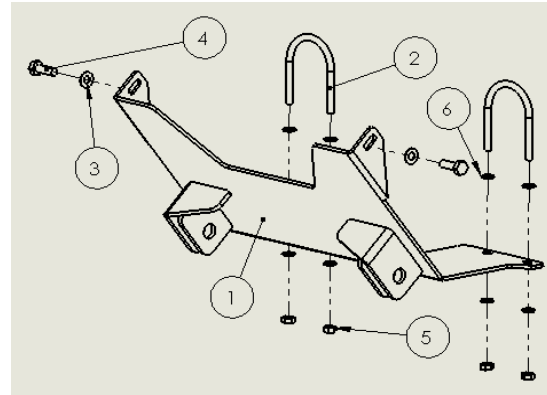


Honda Big Red Plow Mount Instructions

Verify that all hardware and parts are included in your package.

Honda Big Red Plow Mount Contents

Item	Qty	Description
1	1	Base Plate
2	2	5/16 x 3 1/4 x 3 3/4 (Fastenal: 42034)
3	2	M10 Washer
4	2	M10 x 30mm x 1.25 Bolt
5	4	5/16" Nut
6	8	5/16" Washer



Installation Instructions:

- 1) Locate a drill and 3/8" drill bit as it will be needed in this install
- 2) Remove the two 10mm bolts from the front of the Big Red bumper (figure 1).
- 3) Position the mount around both M10 bolt holes and insert the included M10 x 30mm bolt and washer, **do not tighten at this point** (Figure 1)
- 4) Swing the mount plate up to the base of the UTV. Drill two 3/8" holes per (Figure 2) using the mount as a template.

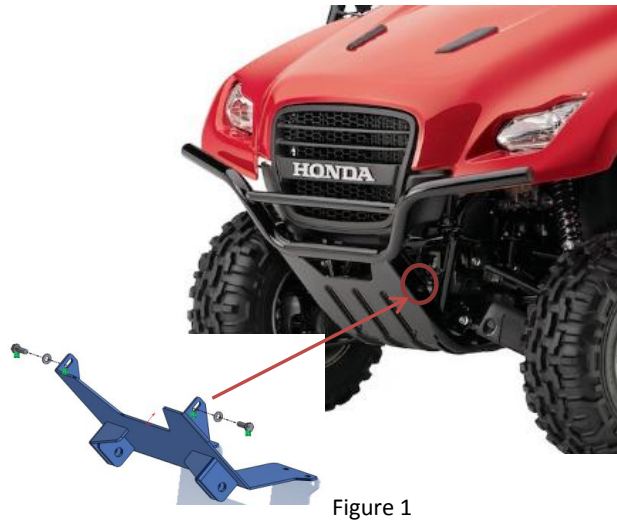


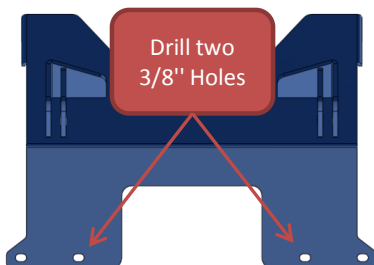
Figure 1

- 5) Insert the two U-bolts, using washers on either side of the bolts and securing with the accompanying nylock nuts (See Figure 3). Tighten all bolts per specifications.

Torque Specifications:

- 5/16" Bolts - 19Ft-lbs
- M10 Bolts - 17Ft-lbs

- 6) Attach snow plow via quick release pins



<--- Figure 2

Figure 3 --->

